

Ambria Technical Specification

Soap & Tumbler Holder DN3866 & DN3844

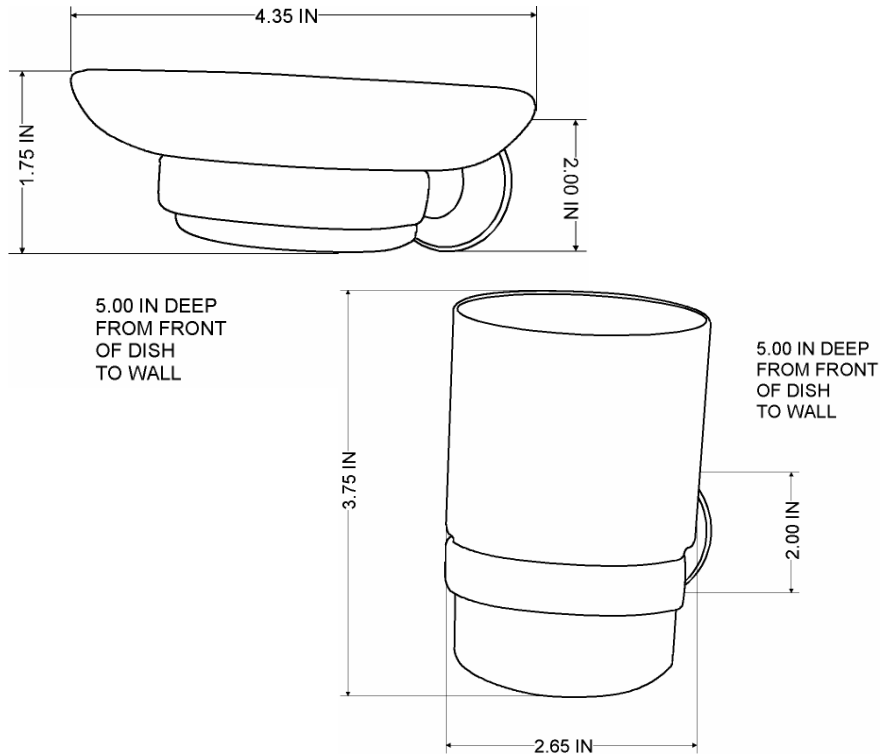
Stock Numbers:

- q **DN3866SCC – Wall Mounted Soap Holder**
Chrome & Satin Chrome Finish
- q **DN3844SCC – Wall Mounted Toothbrush Holder**
Chrome & Satin Chrome Finish
- q **DN3866CH – Wall Mounted Soap Holder**
Polished Chrome Finish
- q **DN3844CH – Wall Mounted Toothbrush Holder**
Polished Chrome Finish
- q **DN3866SNV – Wall Mounted Soap Holder**
Satin Nickel & Ivory Finish
- q **DN3844SNV – Wall Mounted Toothbrush Holder**
Satin Nickel & Ivory Finish

Materials:

Soap and Tumbler Holders are die cast from highest quality zinc. Soap dish and tumbler are made from glass.

Dimensions:



Installation Instructions:

1. Mounting hardware is included in the package.
2. Position the assembled unit on the wall where desired.
3. Lightly mark the outline of each base.
4. Center a mounting bracket within each base outline.
5. Mark the hole locations of each mounting bracket.
6. Attach each mounting bracket to the wall, using the mounting bracket screws with the optional plastic wall anchors provided. Note: Mounting into wood studs or the use of toggle bolts is recommended whenever possible.
7. Mount each base on the corresponding mounting bracket. Check and make sure that the base set screw hole(s) are facing down. Assemble a setscrew to each base. Use the Allen wrench included in hardware kit to tighten each setscrew and secure the assembly to the mounting bracket(s).

Cleaning Instructions:

To preserve the fine finish of this product, clean only with a soft damp cloth. Dry well. Do not use commercial or abrasive cleaners.

Stock Number: _____ **Soap Dish & Tumbler**
By CSI Bath Furnishings

